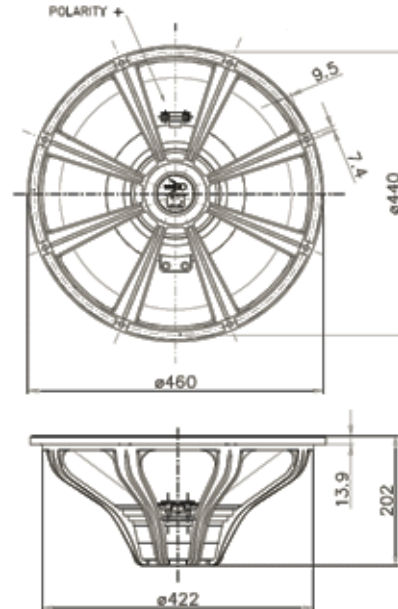




18HP1040 High Performance Series



NOMINAL SPECIFICATIONS

Nominal Diameter	460 mm (18 in)
Overall Diameter	460 mm (18.11 in)
Bolt Circle Diameter	440 mm (17.32 in)
Baffle Cutout Diameter	422 mm (16.61 in)
Depth	202 mm (7.95 in)
Flange and Gasket Thickness	13.9 mm (0.55 in)
Net Weight	6.1 Kg (13.4 lb)
Shipping Box (Single Carton Box)	536x536x293 mm (21.1x21.1x11.5 in)
Shipping Weight	7.4 Kg (16.3 lb)

ELECTRICAL SPECIFICATION

Nominal Impedance	8 Ohm
Minimum Impedance	6.6 Ohm
Nominal Power Handling *	1000 W
Maximum Power Handling **	2000 W
Sensitivity (1W/1m)	99 dB
Frequency Range	38÷2500 Hz
Voice Coil Diameter	100 mm (4 in)
Winding Material	Al
Former Material	Glass Fiber
Winding Depth	23 mm (0.9 in)
Magnetic Gap Depth	12 mm (0.47 in)
Flux Density	1.3 T

THIELE & SMALL PARAMETERS

Fs	38 Hz
Re	5.5 Ohm
Qes	0.35
Qms	8.75
Qts	0.34
Vas	208.8 dm ³ (7.37 ft ³)
Sd	1166 cm ² (180.7 in ²)
Xmax ***	9.5 mm
Xdamage ****	17.5 mm
Mms	163 g
Bl	24.5 N/A
Le	1.36 mH
Mmd	141 g
Cms	0.11 mm/N
Rms	4.42 Kg/s
Eta Zero	3.14 %

ORDERING CODES

Push Terminals - 8 Ohm Version	04603936
Faston Terminals - 8 Ohm Version	04603937

NOTES

PATENTED IT2006/000327

(*) 2 Hours Test According to AES 2-1984 Rev. 2003

(**) Maximum power is defined as 3dB greater than nominal power.

(***) Xmax = [(winding depth - magnetic gap depth) / 2] + (magnetic gap depth / 3)

(****) Maximum excursion before permanent damage

CURVES

